



# Aeolus

Vertical Laminar Flow Cabinets

High quality

Ergonomic design

Low noise level

Energy saving



Product protection

Technology. Science. Life.

Telstar Aeolus V Serie is a high quality vertical laminar flow workbench range for handling non-hazardous materials that require a particle free environment. These cabinets offer the highest product protection.

- Ergonomic design
- Low noise level
- High quality
- Energy saving

## International safety standards

The AEOLUS serie is designed and manufactured in order to achieve a working area that meets the ISO 14644-1 (Class 4), GMP Annex 1 (Grade A)\*.

## Applications

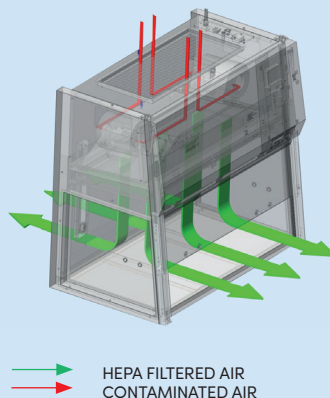
- AEOLUS V Vertical Laminar Flow Benches, have been specially designed to work in Hospitals, Pharmacies, IVF Centers, Food Control, Horticulture in vitro Cultures and also in Electronics, Optics, Micromechanics, Plastic Industries, etc
- Vertical Laminar Flow systems allow operation in sterile and particle free conditions thanks to the continuous flushing of the working area by means of a unidirectional vertical ultrafiltered air flow. The positive pressure inside the cabinet prevents inflow of contaminated air from the surrounding environment into the work area.

## Available sizes

AEOLUS Series is available in the following standard sizes 90, 120, 150, 180 cm width (3, 4, 5, 6 feet).

## Options & Accessories

The available options and accessories make this cabinet adaptable to many applications.



## Basic principle

HEPA filtered vertical laminar airflow (downflow) creates an ISO 14644-1 (Class 4) / GMP Annex 1 (Grade A)\* work area and prevents ambient air entering the work area, ensuring product protection.

\* Former Class 100 according Federal Standard 209E

# Features & benefits

## General features

### High quality components:

- Cabinets made of stove-enamel coated steel
- Polished AISI-304 stainless steel working surface
- HEPA filter protected with laminar screen to provide incomparable uniform flow
- U.V. resistant tempered glass side walls
- Sliding front safety glass window

### Ergonomic design:

- Compact external size without parts protruding from the main body; easy to clean
- LED lighting provides uniform illumination and minimises eyestrain
- Low noise level
- User-friendly with intuitive control panel
- Easy installation and service: 800 mm depth allow passage through all doorways. HEPA filter is accessible for replacement from the front of the cabinet. Unit can be fully disassembled in case of complicated installations
- Wide working surface made in Stainless Steel

### Green line:

- Very low power consumption is obtained by adopting:
  - EC motors
  - LED lighting
  - Standby flow mode
- All parts are retrofittable, even the metallic ones, so extending total life of the cabinet
- Pre-filter (G3) prevents dust, dirt and particles reaching the HEPA filter, tremendously increasing HEPA filter lifetime

### Flexibility:

- Four models with different widths to suit all applications
- Wide range of options and accessories

## Control panel with alarms and parameters



Digital control board with LCD display\* including:

- ON/OFF button and light indicator
- Selection of air speed: working or stand-by
- Button for U.V. operation with possibility of exposure time programming
- LEDs on control panel show status of: lighting, U.V., clogging of filter
- Alarm LED
- Display with real-time air speed indication
- Elapsed time counter for the fan and U.V. light

\*English, Spanish, French, German, Japanese and Dutch language

# Technical Specifications

Features	Unit	Aeolus V 3	Aeolus V 4	Aeolus V 5	Aeolus V6
External dimensions (without support frame)	WxDxH (mm)	1048x798x1220	1353x798x1220	1658x798x1220	1963x798x1220
Internal dimensions	WxDxH (mm)	925x693x615	1230x693x615	1535x693x615	1840x693x615
Weight	Kg	140	160	185	210
Air velocity	m/s	0.36	0.36	0.36	0.36
Consumption	W	112	123	166	188
Lighting	Lux	≥1200	≥1500	≥1500	≥1700
Noise level (according to ISO 11201)	dB (A)	55	55	55	55
Main Filter HEPA H14	Efficiency	Efficiency 99.995%, EN 1822 by MPPS method (99,999% D.O.P. test @ 0.3µm particles)			
Pre-filter Efficiency	EN 779	G3			
Fans		EC High efficiency Centrifugal.			
Coating		Powder coating based on polyester resins			
Working Surface		AISI-304			

## Standard Configuration

- Stainless Steel worktop
- 2 Electrical socket(s)
- LED lighting
- EC fans
- Sliding front door, manually operated
- Monitoring of air speed with sensor
- Visual and acoustic alarms

## Options & Accessories

- Support stand
- Taps (natural gas, vacuum, O<sub>2</sub>, N<sub>2</sub>, etc)
- UV light
- Stainless Steel bar with (4 or 6) hooks
- FAT / SAT / IQ / OQ



Technology. Science. Life.

Check for the nearest Telstar office at [www.telstar.com/international](http://www.telstar.com/international)

Av. Font i Sagué, 55 · 08227 Terrassa (Spain) | T +34 937 361 600 | [telstar@telstar.com](mailto:telstar@telstar.com) | [www.telstar.com](http://www.telstar.com)

ISO 9001: Certified Company · BR-AEOLUS-V-EN-0623

Telstar reserves the right to improvements and specifications changes without notice.